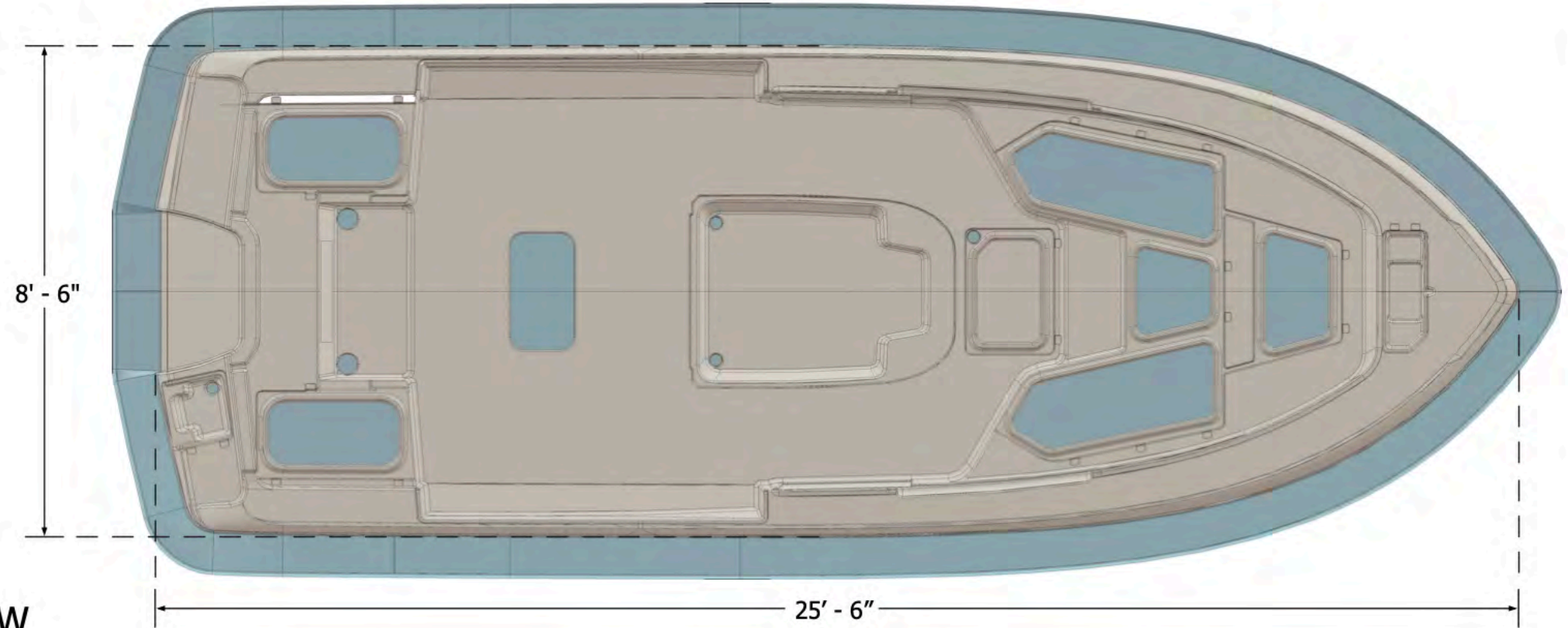


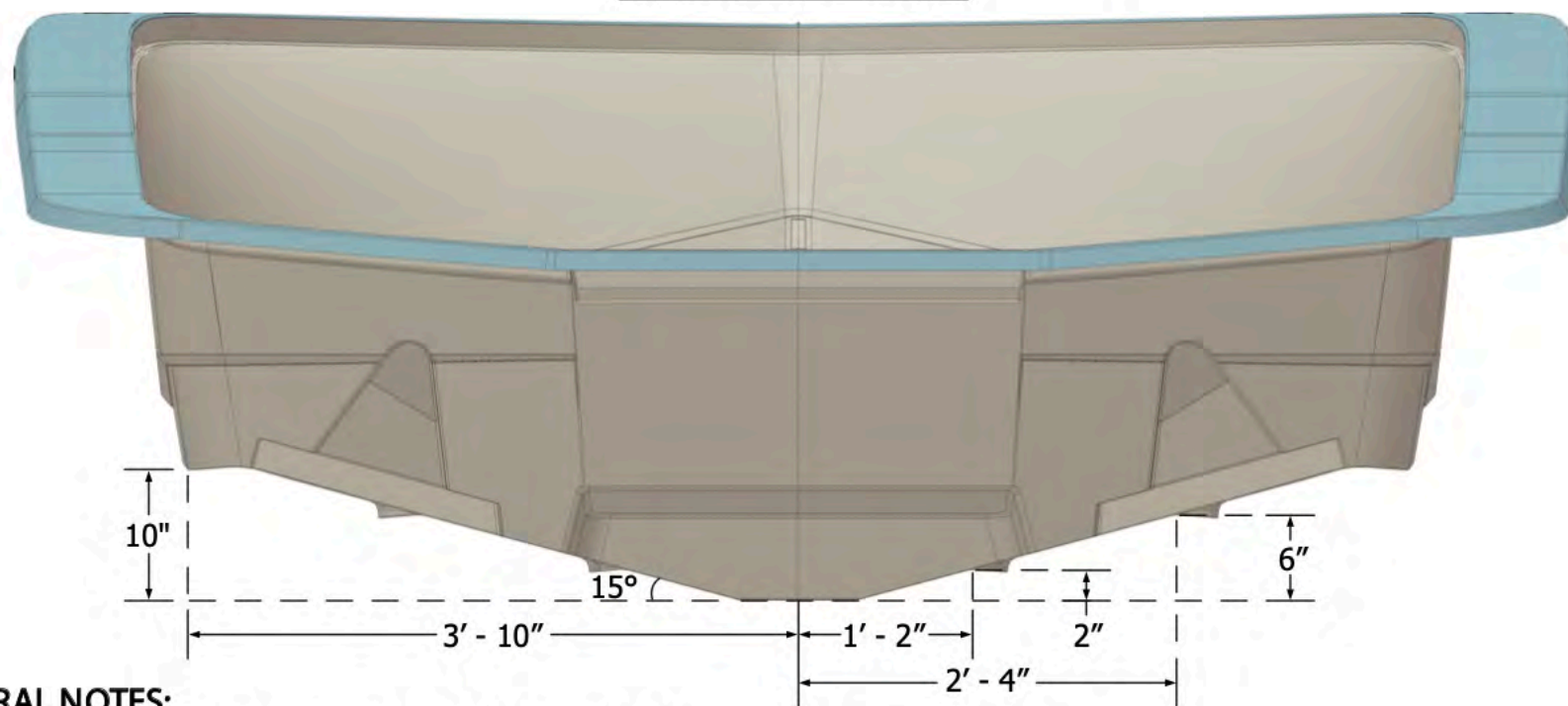
PARTICULARS:

KEEL TO TOP OF HT	8' - 11"
WATER LINE TO TOP OF HT	7' - 9"
KEEL TO BOW EYE	2' - 6"
STERN TO AFT END OF KEEL	1' - 9"
STERN TO C.G.	9' - 9"
TRANSOM TO C.G.	1' - 2"

PLAN VIEW



TRANSOM VIEW



GENERAL NOTES:

1. MOLD FLANGES NOT COUNTED TOWARDS MEASUREMENTS.
2. ACTUAL AND PARTICULAR BOATS WILL VARY BASED ON ACTUAL AS-BUILT CONFIGURATION.
3. SHIPCHECK ALL DIMENSIONS PRIOR TO CONSTRUCTION OF BOATLIFT OR TRAILER.
4. ALWAYS SUPPORT BOAT ON STRINGERS AND BULKHEADS AS DEPICTED.
5. CREVALLE MAKES NO GUARANTEE OR WARRANTY, EXPRESSED OR IMPLIED, REGARDING ACCURACY OF THIS INFORMATION FOR A PARTICULAR BOAT. ALWAYS CHECK MEASUREMENTS ON ACTUAL BOAT.

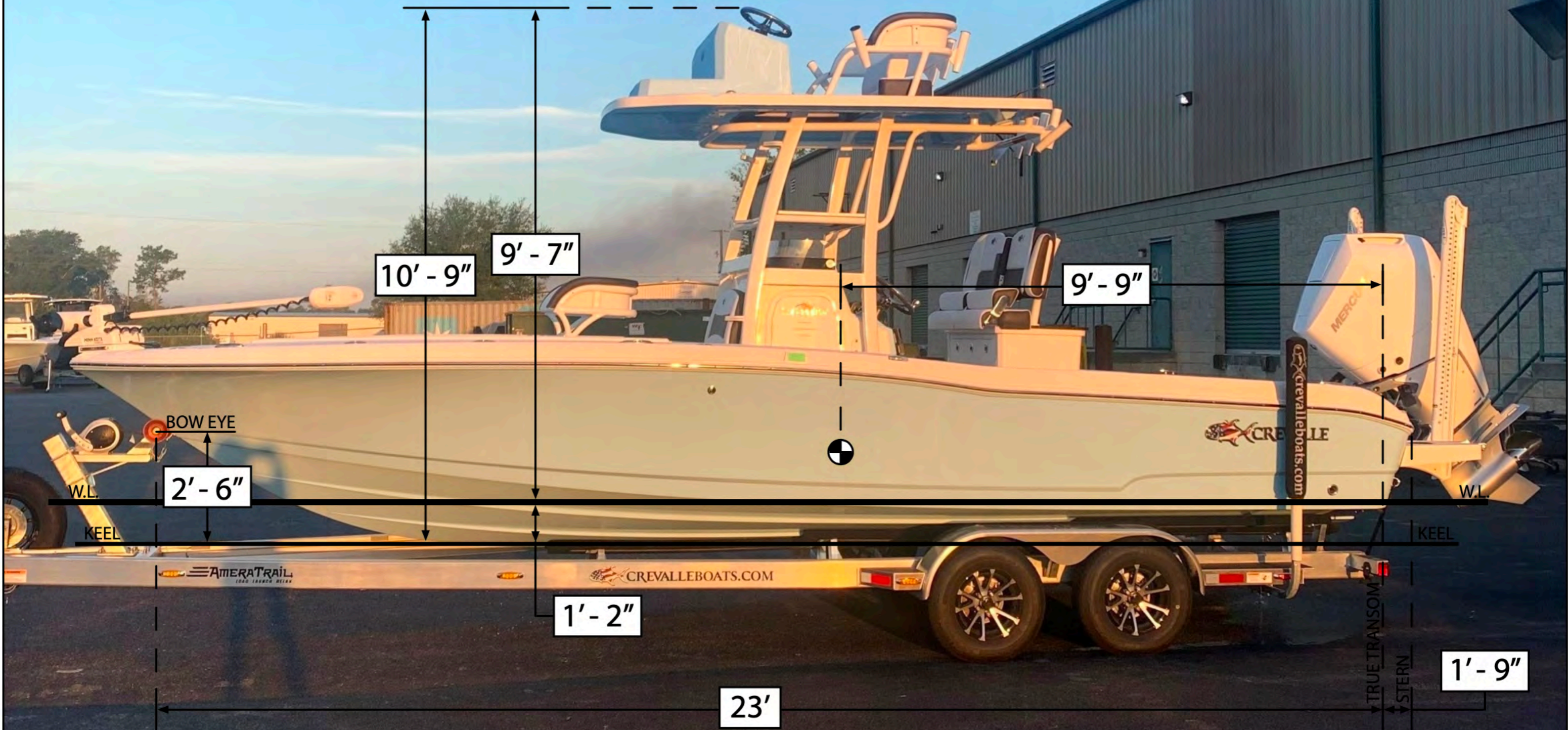
DRAWN	BSM	6/28/2023	
APPROVED	NLE	7/11/2023	
REVISED			
			TITLE
			BOAT DIMENSIONS
CREVALLE BOATS 1520 INDUSTRIAL DR WILDWOOD, FLORIDA 34785 USA			SIZE D MODEL 26' 2ND STATION SCALE 1 / 25
			REV 1 SHEET 1 OF 2

GENERAL NOTES:

1. TO HOIST BOAT INTO AIR LIFT AT THE BOW EYE AND STERN EYES.
2. ACTUAL AND PARTICULAR BOATS WILL VARY BASED ON ACTUAL AS-BUILT CONFIGURATION.
3. SHIPCHECK ALL DIMENSIONS PRIOR TO CONSTRUCTION OF BOATLIFT OR TRAILER.
4. ALWAYS SUPPORT BOAT ON STRINGERS AND BULKHEADS AS DEPICTED.
5. CREVALLE MAKES NO GUARANTEE OR WARRANTY, EXPRESSED OR IMPLIED, REGARDING ACCURACY OF THIS INFORMATION FOR A PARTICULAR BOAT. ALWAYS CHECK MEASUREMENTS ON ACTUAL BOAT.

PARTICULARS:

BEAM 8' - 6"
OVERALL LENGTH 25' - 6"



CREVALLE BOATS
1520 INDUSTRIAL DR
WILDWOOD, FL 34785 USA

TITLE: 26' Second Station Boat Side Measurements				SCALE:
DRAWING NUMBER:	SHEET: 2 OF 2	MODEL: B4/B6 - 26' 2ND STATION		
DRAWN BY: BSM	DATE: 7/4/2023	CHECKED BY:	DATE:	APPROVED BY: NLE
			DATE: 7/11/2023	