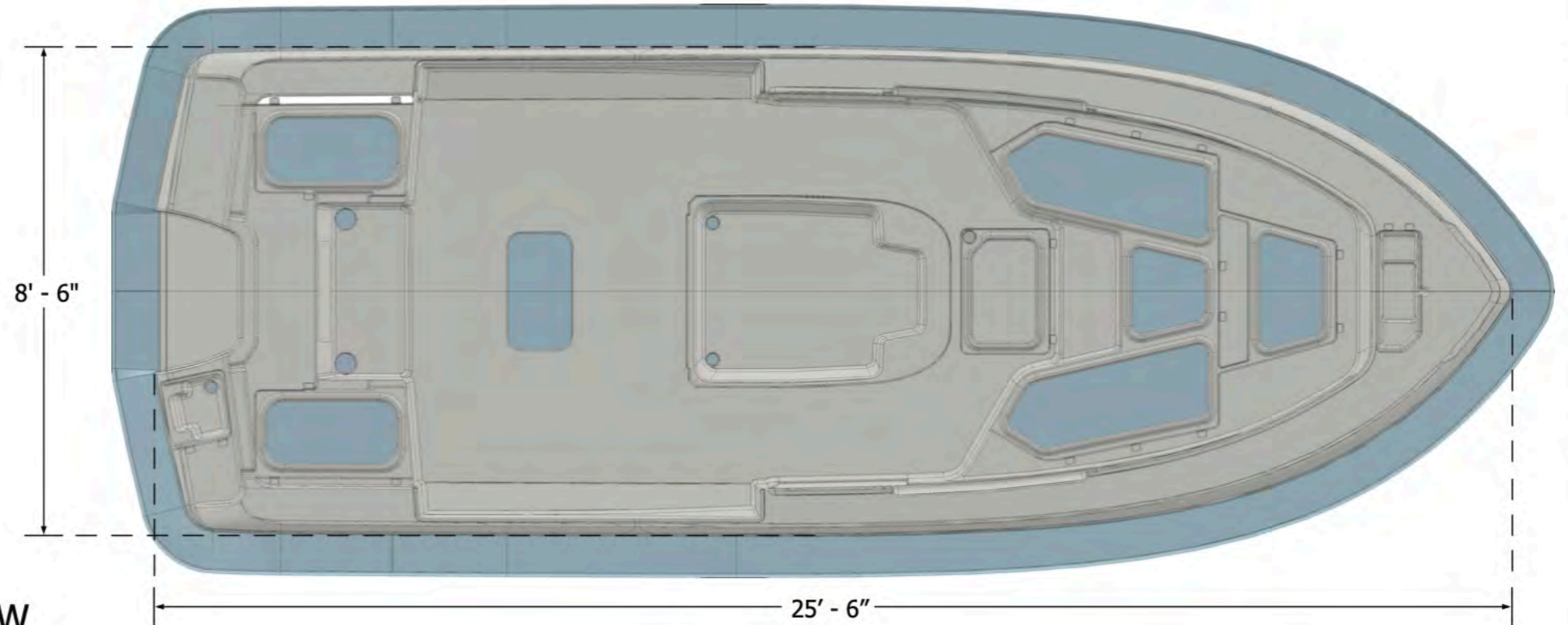


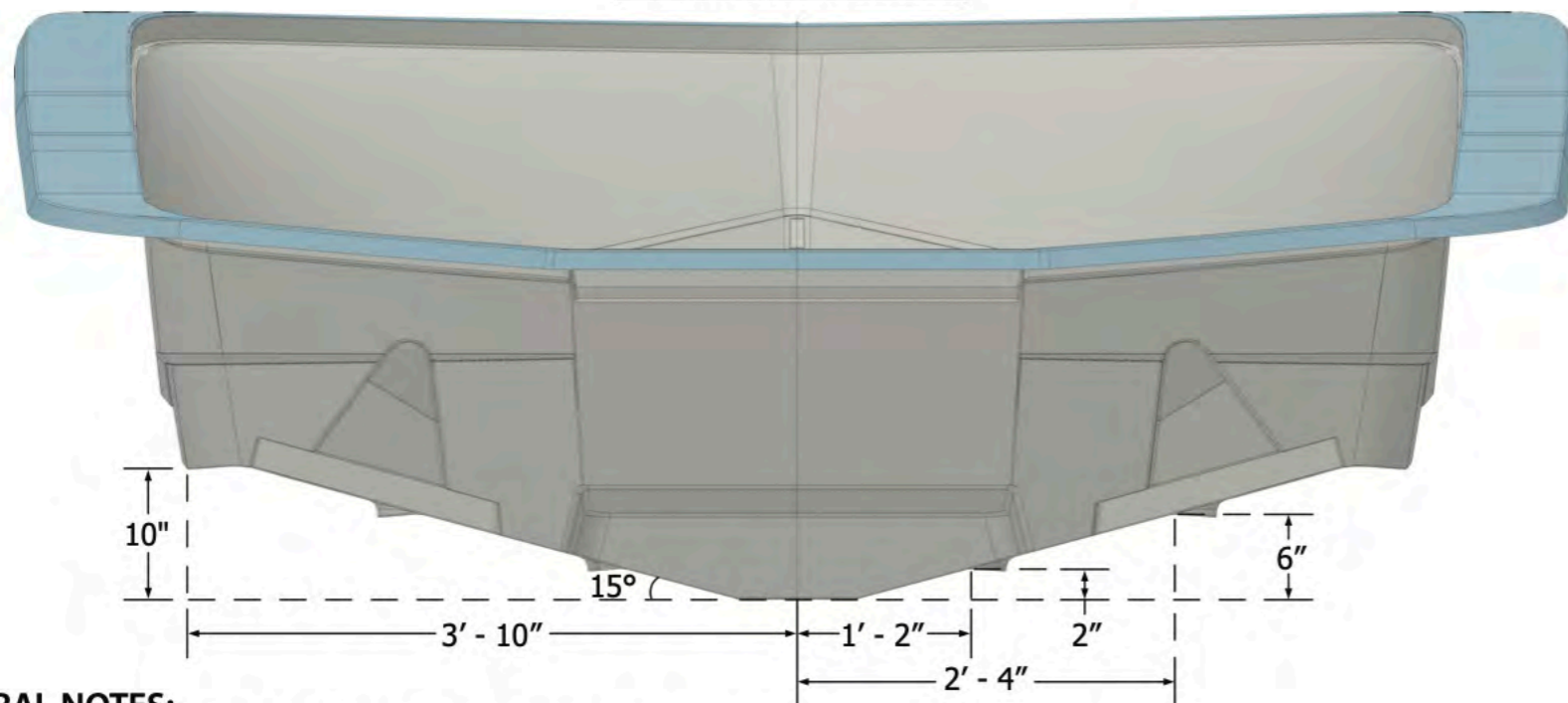
**PARTICULARS:**

KEEL TO TOP OF HT	8' - 11"
WATER LINE TO TOP OF HT	7' - 9"
KEEL TO BOW EYE	2' - 6"
STERN TO AFT END OF KEEL	1' - 9"
STERN TO C.G.	9' - 9"
TRANSOM TO C.G.	1' - 2"

**PLAN VIEW**




**TRANSOM VIEW**



**GENERAL NOTES:**

1. MOLD FLANGES NOT COUNTED TOWARDS MEASUREMENTS.
2. ACTUAL AND PARTICULAR BOATS WILL VARY BASED ON ACTUAL AS-BUILT CONFIGURATION.
3. SHIPCHECK ALL DIMENSIONS PRIOR TO CONSTRUCTION OF BOATLIFT OR TRAILER.
4. ALWAYS SUPPORT BOAT ON STRINGERS AND BULKHEADS AS DEPICTED.
5. CREVALLE MAKES NO GUARANTEE OR WARRANTY, EXPRESSED OR IMPLIED, REGARDING ACCURACY OF THIS INFORMATION FOR A PARTICULAR BOAT. ALWAYS CHECK MEASUREMENTS ON ACTUAL BOAT.

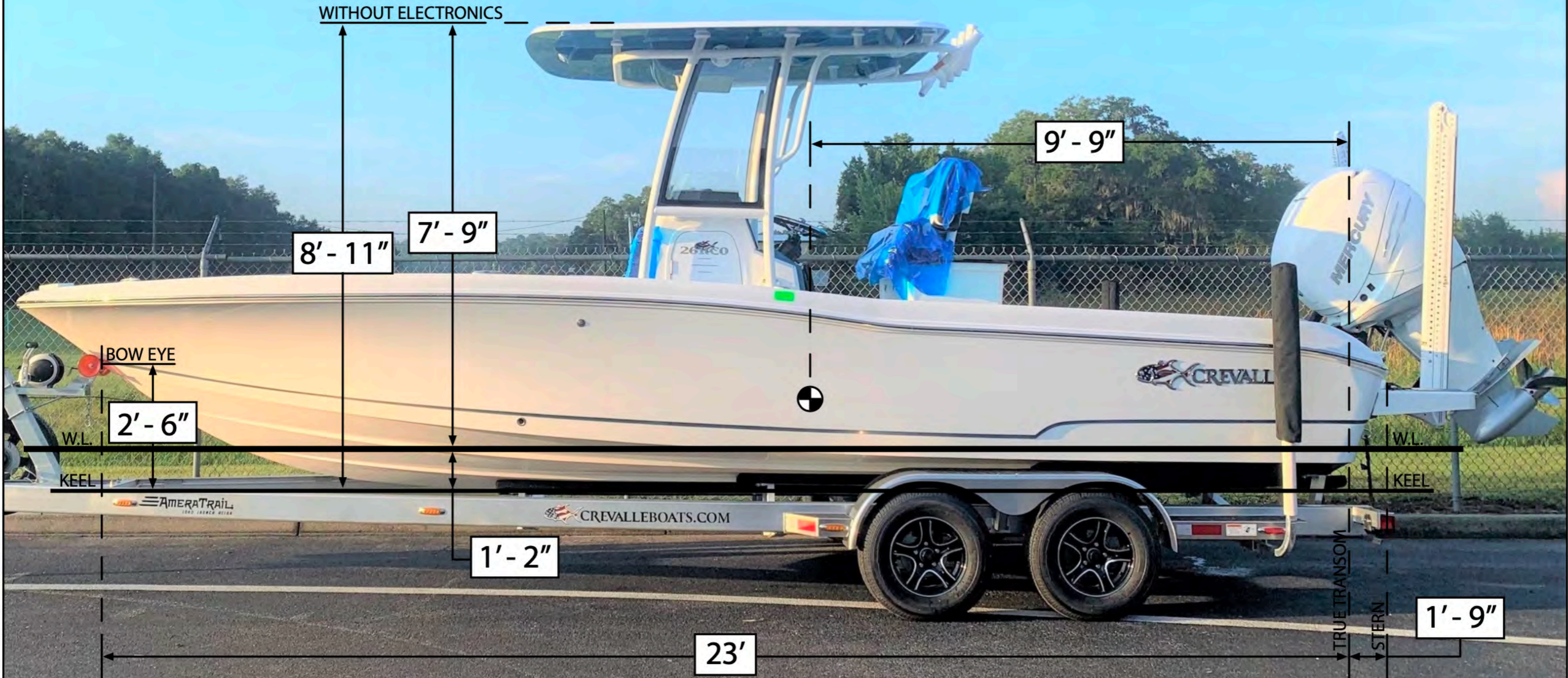
DRAWN BSM	6/28/2023	
APPROVED NLE	7/11/2023	
REVISED		
		TITLE
		<b>BOAT DIMENSIONS</b>
CREVALLE BOATS 1520 INDUSTRIAL DR WILDWOOD, FLORIDA 34785 USA		SIZE D MODEL <b>B6 - 26HBW</b> SCALE 1 / 25
		REV 1 SHEET 1 OF 2

**GENERAL NOTES:**

1. TO HOIST BOAT INTO AIR LIFT AT THE BOW EYE AND STERN EYES.
2. ACTUAL AND PARTICULAR BOATS WILL VARY BASED ON ACTUAL AS-BUILT CONFIGURATION.
3. SHIPCHECK ALL DIMENSIONS PRIOR TO CONSTRUCTION OF BOATLIFT OR TRAILER.
4. ALWAYS SUPPORT BOAT ON STRINGERS AND BULKHEADS AS DEPICTED.
5. CREVALLE MAKES NO GUARANTEE OR WARRANTY, EXPRESSED OR IMPLIED, REGARDING ACCURACY OF THIS INFORMATION FOR A PARTICULAR BOAT. ALWAYS CHECK MEASUREMENTS ON ACTUAL BOAT.

**PARTICULARS:**

BEAM 8' - 6"  
OVERALL LENGTH 25' - 6"



CREVALLE BOATS  
1520 INDUSTRIAL DR  
WILDWOOD, FL 34785 USA

TITLE: 26' HCO Boat Side Measurements

DRAWING NUMBER:	SHEET: 2 OF 2	MODEL: B6 - 26HBW	SCALE:
DRAWN BY: BSM	DATE: 7/4/2023	CHECKED BY:	DATE: 7/X/2023
		APPROVED BY: NLE	DATE: